

THIS DRAWING IS UNPUBLISHED. RELEASED FOR PUBLICATION

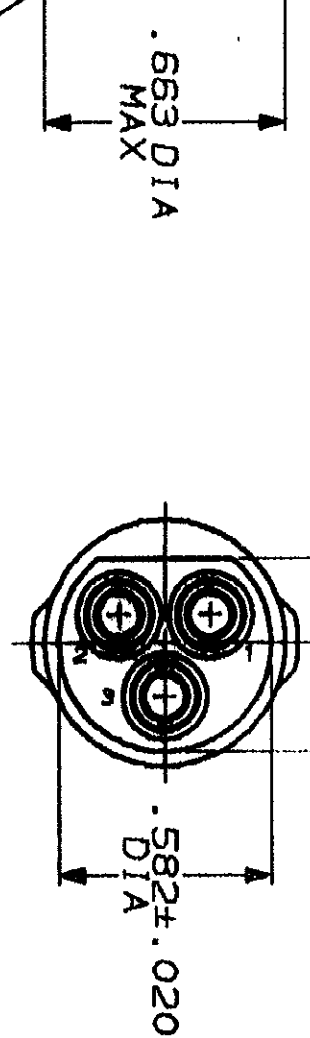
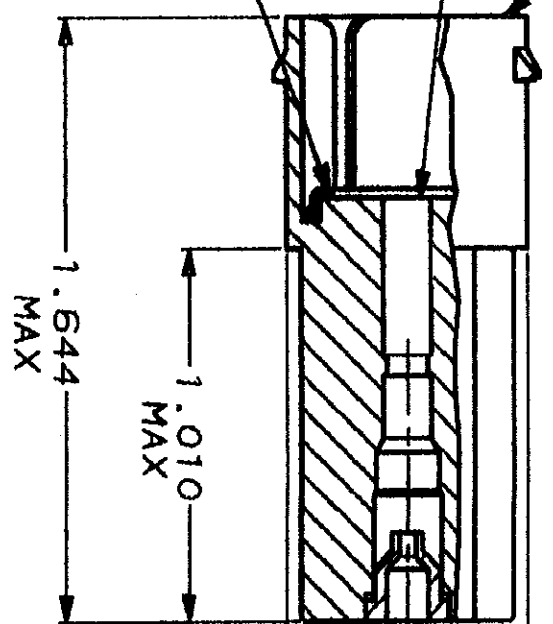
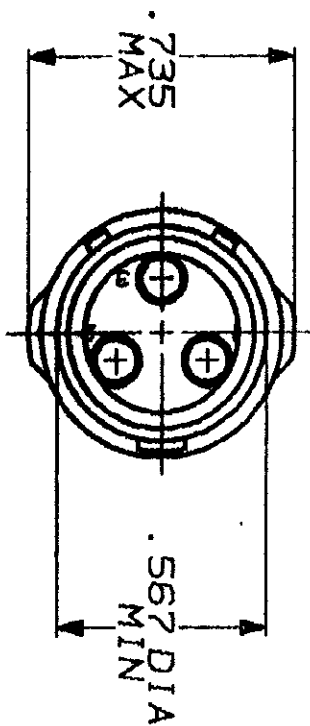
© COPYRIGHT 19 BY AMP INCORPORATED. ALL INTERNATIONAL RIGHTS RESERVED.

, 19

MOD 23
LOC BD
DIST 39

REVISIONS	DESCRIPTION	DATE	APPD
✓	REDRAWN AND REV PER ECN BD4183	7/31/80	KD

HOUSING MATERIAL: THERMOPLASTIC
COLOR: BLACK



INTERFACIAL SEAL, MATERIAL: ELASTOMER
COLOR: BLACK

DISCRETE WIRE SEAL, MATERIAL: ELASTOMER
COLOR: BLACK

- 1 WIRE INSULATION SEALING RANGE: .130-.070 DIA.
- 2 THIN MEMBRANE PERMISSIBLE ON SMALL DIAMETER OF WIRE SEALS.

207563-1
PART NO

DO NOT SCALE PRINT. DIMENSIONS SPECIFIED IN INCHES. TOLERANCES UNLESS OTHERWISE SPECIFIED: 1. FRACTIONS 2. DECIMALS 3. ANGLES

DR 7/31/80
A. STUBB 86
APPD [Signature]
DATE 1-18-91
PRODUCT [Signature]
MATERIAL [Signature]

SEE CALLOUT

AMP INCORPORATED
Harrisburg, Pa. 17105

RECEPTACLE, 3 POSITION, STD. CIRCULAR SEALED CONNECTOR

SIZE B
FORM NO 00779
DRAWING NO 207563
SCALE 1 OF 1